

DATA SHEET SWING SIMIUS 2

Text for invitation to tender | Item No: 51 2019 402



MATERIALS | SCOPE OF SUPPLY

Swing, final installation on location, fixation of the swing chains necessary

Tubular frame: stainless steel, V2A
with EPDM caoutchouc-
ball at the end of each
tube, 2 pieces

Swing seat: EPDM caoutchouc with
steel inlay, 2 pieces

Chains: stainless steel, 1,80 m
each seat 2 pieces

Foundation plate: steel, coated

TECHNICAL INFORMATION

Dimensions:

Main dimension: 4350 x 810 mm

Height: 2450 mm

Weight: 245 kg

Capacity: acc. to normative requirements

Dimension largest piece: 2330 x 600 x 2900 mm

Heaviest piece: 110 kg

Max. fall height: 1400 mm

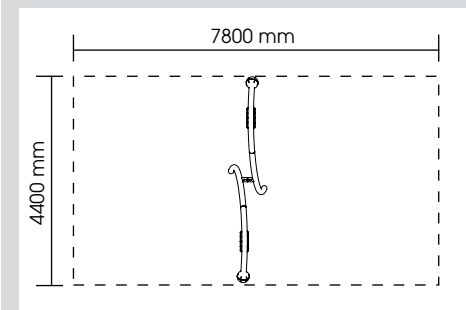
Impact protection

Impact area: 34,32 m²

Required safety slabs: 31,50 m²

Required lawn grating: 35,00 m²

Recommended
surface material: sand, wood chip, gravel, synth.
impact protection



INSTALLATION

Foundations: 1

Installation according to our detailed mounting
instructions, see www.stilum.com

